



# Branham™

Full stall washout urinal with rear spud  
K-25039-R

## Features

- Full stall washdown urinal.
- 0.5 or 1.0 gpf (1.9 or 3.8 lpf).
- Lip of urinal installs below floor level for easier cleaning around fixture.
- Full length sidewalls provide added privacy.
- External trapway.
- ¾" (19 mm) rear spud.

## Material

- Vitreous china.

## Installation

- Replaces K-4920-R.

## Recommended Products/Accessories

- K-4932 Urinal Seam Cover
- K-9172 Urinal Strainer
- K-9183 Urinal Strainer
- K-23726 Drain treatment
- K-23725 Cast iron cleaner



**ADA** **CSA B651** **OBC**

## Codes/Standards

ASME A112.19.2/CSA B45.1  
DOE - Energy Policy Act 1992  
EPA WaterSense®  
California Energy Commission (CEC)  
ADA  
ICC/ANSI A117.1  
CSA B651  
OBC

## KOHLER® One-Year Limited Warranty

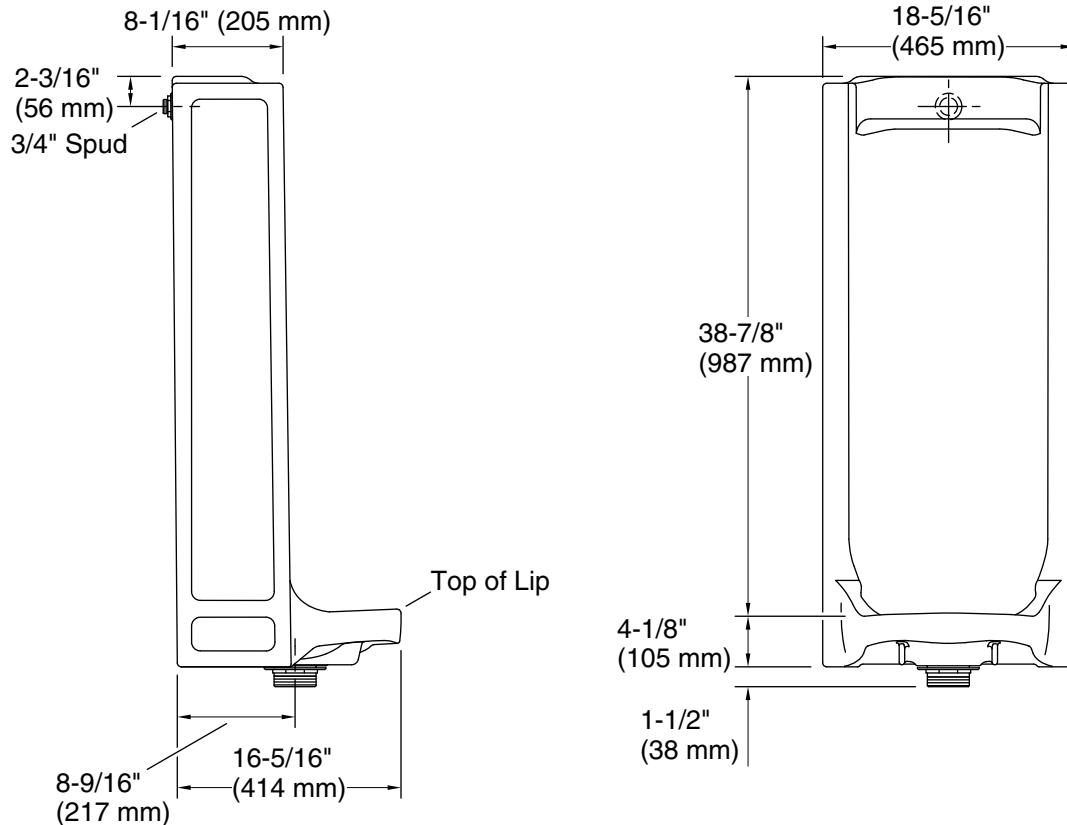
See website for detailed warranty information.

## Available Colors/Finishes

*Color tiles intended for reference only.*

### Color Code Description

■ 0 White



### Technical Information

All product dimensions are nominal.

Flush outlet technology:	Washout
Spud size:	3/4, Inlet, Rear
Min. Water per Flush:	0.5 gal (1.9 L)

Designed for the above water use when installed with a water-saving flushometer.

### Pressure and Supply Requirements

Fixture pressure min (static):	20 psi (137.9 kPa)
Fixture pressure max (static):	80 psi (551.6 kPa)

### Notes

Install this product according to the installation instructions.

Refer to manufacturer's instructions and local codes for flushometer requirements.

ADA, OBC, CSA B651 compliant when installed to the specific requirements of these regulations.